

超声波雾化片

Ultrasonic Piezoelectric Atomizing Transducer

本公司的超声波雾化片技术, 与传统的以镍或钛为电极的雾化片相比, 我们的特殊保护电极在耐酸、耐碱、耐空化腐蚀方面性能优越, 具有电极强度高, 不易结垢, 实际使用寿命长的特点。

we are producing ultrasonic piezoelectric atomizing transducers of compact and higher performances. Our specially electrode protection layer of the transducer is far superior to Nickel or Titanium electrode used in traditional transducers, it has more advantages in withstanding acid, alkaline and cavitation corrosion, so it features higher strength, less water scale, and longer lifetime.

1、品名(Name): **HN102**

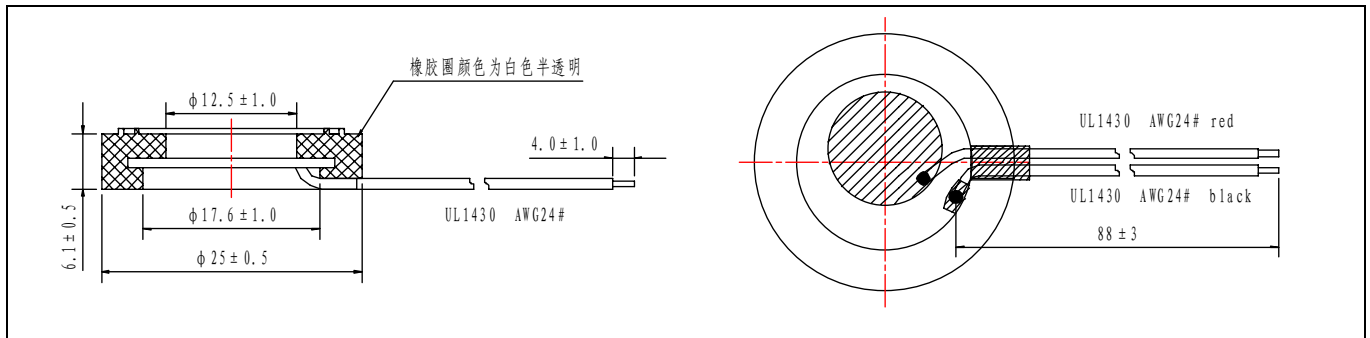
2、产品型号 (Model): **AW16Y20120G2L15J5**

3、性能参数(Electrical specification):

HNT.

| 项目 Item | 单位 Unit | 标准 Standard | 测试条件(Test condition): T=25°C |
|--|------------|----------------|---|
| 谐振频率 (Ft) Thick resonant frequency | MHz | 1.70±0.05 | HP4294A |
| 谐振阻抗 (R) Resonant impedance | Ω | ≤2.0 | HP4294A |
| 静电容量 (Co) Static capacitance | pF | 1500±20% | 数字电桥 At 1000Hz/1V Digital electric bridge At 1000Hz/1V |
| 机电耦合系数(Kt) Electrical-mechanical coupling coefficient | | ≥0.45 | HP4294A(Fs3/Fs1 查表值) |
| 寿命 Life time | Hour | 5000 | |

4、外观尺寸(Appearance and dimensions): 计量单位(Unit): mm



5、包装 (Package):

| 片/箱 PCS | PL35 纸盒(cm) | PL35 纸箱(cm) (外尺寸) Size | 毛重(Kg) Gross weight | 净重(Kg) Net weight |
|------------|---------------|---------------------------|------------------------|----------------------|
| 1320 | 22.5*12.5*3.8 | 48.8*29.0*23.5 | 9.0 | 7.5 |

| 制作/日期 Accomplished by / Date | 确认/日期 Approved by / Date |
|---------------------------------|-----------------------------|
| | |